

WC-150

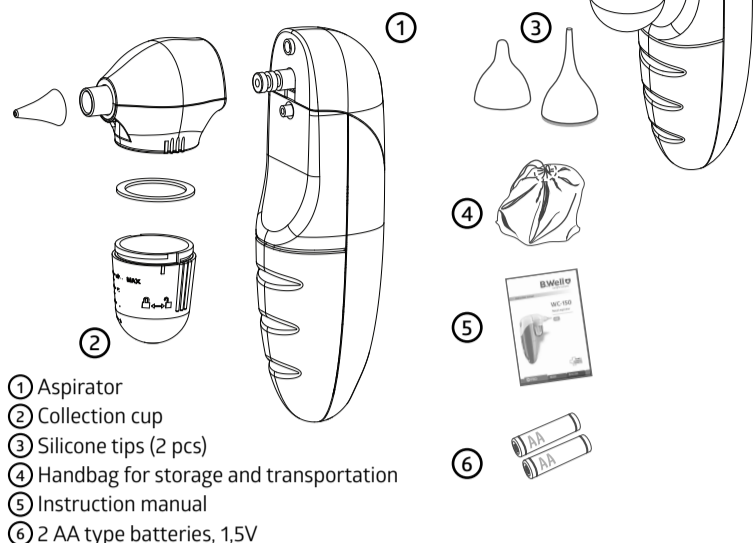
NASAL ASPIRATOR



EN Instruction for Use

1. INTRODUCTION

Thank you for purchasing the B.Well Nasal aspirator WC-150. B.Well Nasal aspirator is able to operate with strong power for keeping nose clean and clear, comparing with the traditional rubber aspirator. This device is designed for more safety and easier operation and compact for home and travel use.



- ① Aspirator
- ② Collection cup
- ③ Silicone tips (2 pcs)
- ④ Handbag for storage and transportation
- ⑤ Instruction manual
- ⑥ 2 AA type batteries, 1.5V

2. PRODUCT FEATURE

1. Strong power:

Put aspiration tip into nostril, then you may use this device to remove nasal secretions continuously or intermittently.

2. Safe:

The soft aspiration tip is for comfortable design to prevent the possibility from injuring when using this device.

3. Compact and easy design:

The device is compact, easy to hold and operate. It is also safe and comfortable for baby use.

4. Battery:

This device only needs two 1.5V AA batteries, it is convenient to change the batteries anytime, anywhere. Low battery indicator.

5. Music:

Instead of the dull/noising sound when using the device, our device provides the unique design of the chord ring and 12 worldwide children's ballads. With the beautiful songs, the baby will feel more comfortable treated with this device.

6. Washable suction head:

Tips, collection cup and head part can be taken off from the device and washed. Collection cup can also be disinfected by boiling water.

3. INTENDED PURPOSE

The device is designed for using intermitten suction to remove nasal secretion and mucus in children (age 0-12 years old) at home environment.

4. CONTRAINDICATIONS

1. Do not push tip deep into baby's nostril. Use nasal aspirator in the recommended direction. Please keep the nostril toward down.
 2. For the baby's security, aspiration time is limited to few seconds.
 3. Do not use nasal aspirator in case of nasal irritation or hemorrhage.
 4. In the case of infection, fever, nasal irritation or hemorrhage, please consult a doctor.
 5. Do not use nasal aspirator without a silicone tip or with a deteriorated collection cup.
 6. Wash silicone tip and collection cup after each use.
 7. Wash your hands before and after using nasal aspirator.
- #### 5. PRECAUTIONS
1. Do not modify this equipment without authorization of the manufacturer.
 2. Do not expose the device to extreme temperature, very high humidity level or direct sunlight.
 3. Avoid extreme stress, shock or accidental drop-down.
 4. DO NOT wash the body of the device with water or any kind of liquids. Strongly recommended wipe the device with soft cloth and keep the device clean.
 5. Please replace the batteries when the power or/and the sound of the pump getting weak during using the device.
 6. It is recommended to remove the batteries if the device will not be used for a period of time.
 7. The application of pressure by the device is intermittent. You shall keep pressing the power button to start the device to generate vacuum for removing nasal secretion and mucus. If you want to stop the suction, just need to release the power button to turn off the device.
 8. The nasal aspirator is for cleaning/removing the nasal secretion only. Do not use this device other than the intended purposes. Any further action should follow the advice of doctors.
 9. During the use of the device, the baby should not hold his breath, close his mouth or swallow his saliva to avoid vacuum pressure cause eardrum unbalanced.
 10. If the baby does not feel well when using the nasal aspirator, stop and consult a doctor immediately.
 11. Do not apply excessive force when placing the aspiration tip into the nostril.
 12. This device is for home use only. Please consult a doctor in case of nasal diseases. Clean the aspirator tip prior each use.
 13. The nasal aspirator is not a toy. The intended operators for this device shall be parents or adults who can follow the instructions and notices in Instruction manual to operate the device. The device is not allowed to be used by children themselves.
 14. DO NOT use nasal aspirator when patients have the following contraindications:
 - Nasal bleeding or any open wounds inside
 - Acute head, facial or neck injury
 - Coagulopathy or bleeding disorder
 15. Before using the device, please read the Instruction manual carefully. Wrong use of the device may cause the following hazards/complications:
 - Mechanical trauma
 - Nasal irritation/bleeding
 - Mucosal hemorrhage
 - Discomfort and pain
- ⚠ **NOTE: This nasal aspirator must only be used with B.Well WC series tips. Please contact the retailer to buy those accessories.**

6. BATTERIES INSTALLATION

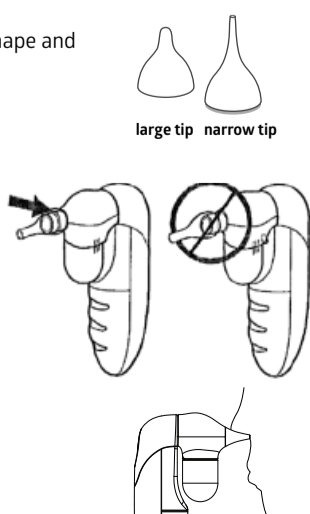
1. Remove the battery cover as shown.
2. Insert two 1.5V alkaline AA size batteries matching positive (+) to positive (+) and negative (-) to negative (-).
3. Press down on batteries to make sure they are completely inserted.
4. Replace the battery cover as shown.

⚠ NOTE:

- When changing the batteries, use batteries of the same type, make and capacity
- Always replace all batteries at the same time
- Do not use rechargeable batteries
- Use batteries free from heavy metals
- Dispose of used batteries in accordance with the applicable legal regulation. Never dispose batteries in the normal household waste

7. PRODUCT INSTRUCTION

1. Choose the correct tip to use, according to shape and size of the nostrils of your baby.
 - The large tip is recommended for use when the mucus is in a more solid form
 - The narrow tip is recommended for use when the mucus is loose and in a liquid form
2. Be sure to place the tip securely on the aspirator. Make sure tip is completely over the rib before using.
3. Put aspiration tip into nostril.

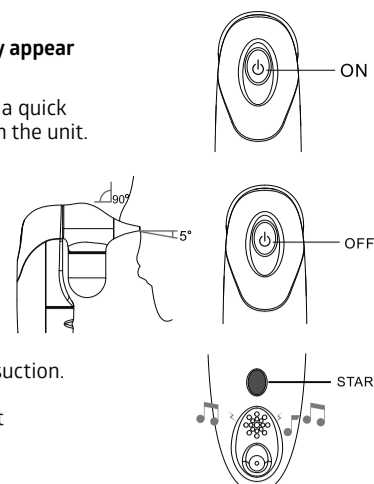


4. Press and hold the power button to allow the suction to clear the mucus.

⚠ **NOTE: The mucus may not immediately appear in the collection cup.**

After each use it is recommended to go a quick clean of the tip by removing the tip from the unit.

5. Please keep the nostril toward down when using the device to make the device operate efficiently. Be sure to keep the tip of the aspirator at a 90° angle. Do not point it up into the nostril. Allow the suction to clear the mucus. Repeat in other nostril and as needed. Release power button to stop suction.



8. CLEANING INSTRUCTIONS

After using this device, the nasal secretion will be kept in the collection cup. The user only needs to clean the collection cup, pad and the aspiration tip under 150°C boiled water.

- Separate the tip and the head module from the base of the aspirator by gently pulling it apart.
- Unscrew collection cup by turning it clockwise.
- Body device cleaning: wipe the unit with a clean soft dry cloth.

⚠ **NOTE: Remove the connection module immediately after using the device. Do not put the aspirator horizontally unless the collection cup is disconnected. Otherwise liquid from the connection module can get inside the device and cause damage.**

⚠ **NOTE: DO NOT wash the body of the device with water or any kind of liquids. Do not clean the unit with solvents or abrasive products.**

- Cleaning of collection cup, head module and aspiration tip: washing the collection cup, head module and aspiration tip with mild soap in water for 3 minutes. Then rinse these parts with running hot tap water for 3 minutes and air dry. After the cleaning process these parts shall be disinfected by boiling water.

9. SPECIFICATIONS

Effective vacuum pressure	400 mmHg (53.3 kpa)
Battery	Two 1.5V AA alkaline batteries
Sound pressure level	75-80 dB
Weight	250 g
Dimensions	93,5x39,9x148 mm
Aspiration tip	Soft silicone
Motor	3V/DC
Operation condition	Temperature: +16°C ~ +35°C Humidity: up to 85% (non-condensing)
Storage condition	Temperature: -25°C ~ +55°C Humidity: up to 85% (non-condensing)

10. APPLIED STANDARDS

The submitted sample of the above equipment has been tested for CE marking a European Directive and following standards:

- Electromagnetic Compatibility Directive 2014/30/EU.

11. WARRANTY

Warranty period is 2 years from the date of purchase. This warranty doesn't cover any damages caused by improper using, and also battery, storage bag, packaging, the accessories supplied with the device and those parts subject to normal wear and tear. When a manufacturing defect is revealed during the warranty period a faulty unit would be repaired or, if repairing is impossible, replaced with another one. The manufacturer may change units partially or completely if necessary, without prior notice.

Manufacturing date is encoded in the SN number at the device: first two numbers are numbers of the week, second two numbers are last numbers of the year.

12. SYMBOL INFORMATION:

- Follow instructions before use
- IP22** Housing Ingress Protection rate: IP22 (Protected from the penetration of solid bodies with dimension greater than 12.5 mm. Protected from the penetration of vertically falling water drops)
- Disposal for separate collection
- CE** CE mark
- SN** Serial number
- Operating condition, temperature 16°C ~ 35°C
- Storage condition, temperature -25°C ~ 55°C
- Manufacturer's name

Last revision 2022-W08

B.Well Swiss AG
Bahnhofstrasse 24, 9443 Widnau, Switzerland
www.bwell-swiss.ch